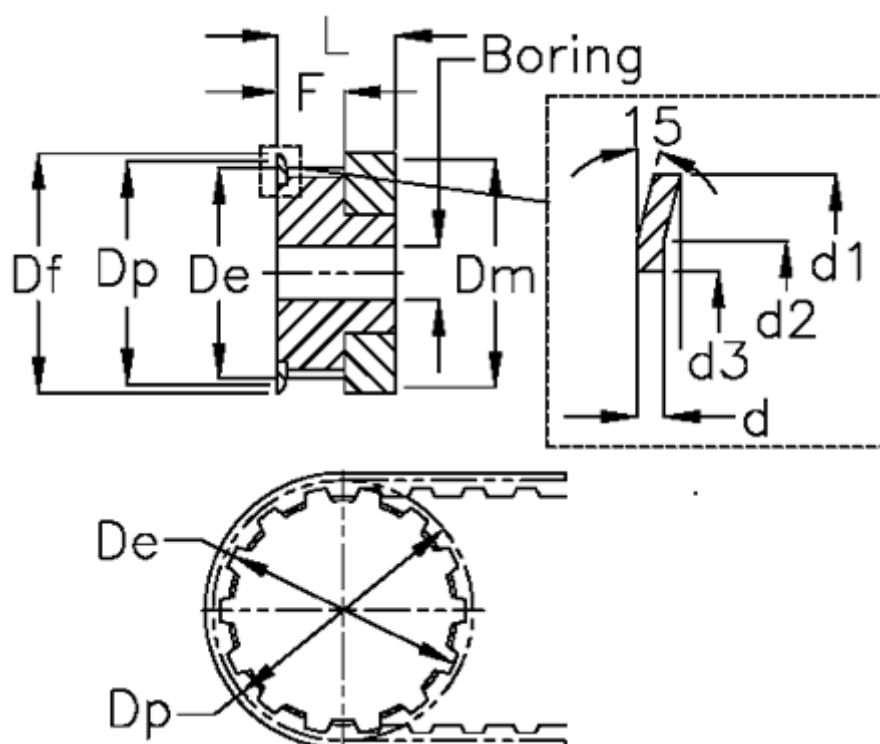


Article number: 604140010015

Description: Timing belt pulley with hub
HTD 10 3M 15

Measures



Bore = 4	D_p	= 9.55
d = 0.5	F	= 17
d_1 = 13	Flange type	= F01
d_2 = 10	L	= 26
d_3 = 6	Tooth number	= 10
D_e = 8.79	Type	= 3M
D_f = 13	Weight	= 0.006
D_m = 13	Width	= 15